

**Safety Instructions**

1, 2, 3, 4, 5, 6, 7, 8, 9, 11,  
12, 13, 14, 17, 19, 20, 21,  
22, 24, 28, 33, 34,

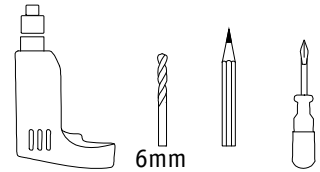
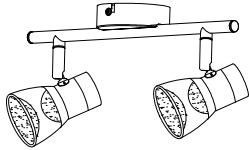


**+49 (0) 5041 998 389**  
Mon. - Do. 7<sup>00</sup> - 20<sup>00</sup>  
Fr. 7<sup>00</sup> - 17<sup>00</sup>

Paulmann Licht GmbH  
Quezinger Feld 2  
31832 Springe  
Germany

www.paulmann.com

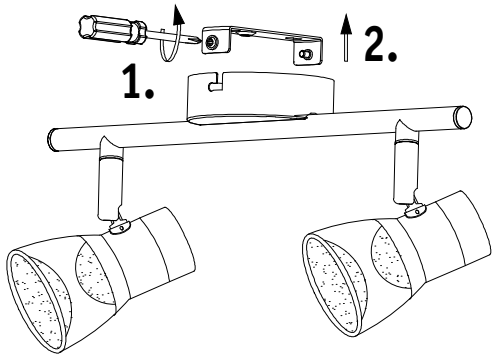
Art.-Nr.:66663  
(+MA 326)PUP 05/16



**A**

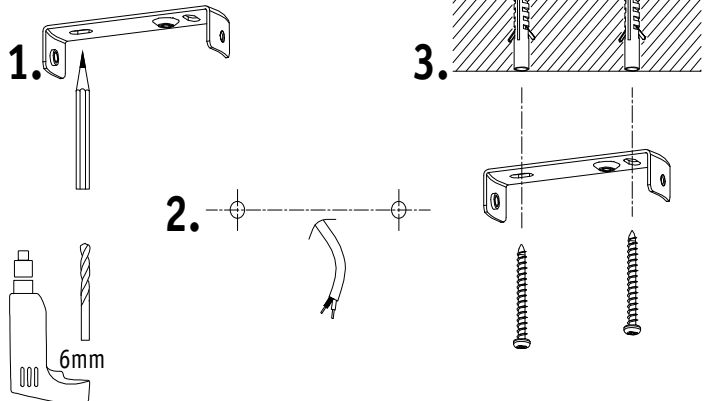


Safety Instructions  
Nr.5

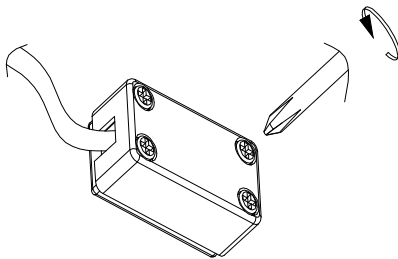


**B**

Safety Instructions  
Nr. 1,2,4,5,7

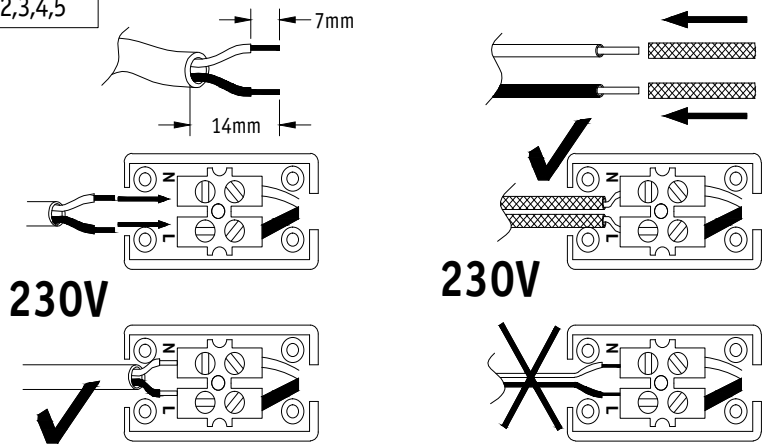


**C**



**D**

Safety Instructions  
Nr. 1,2,3,4,5



**E**

